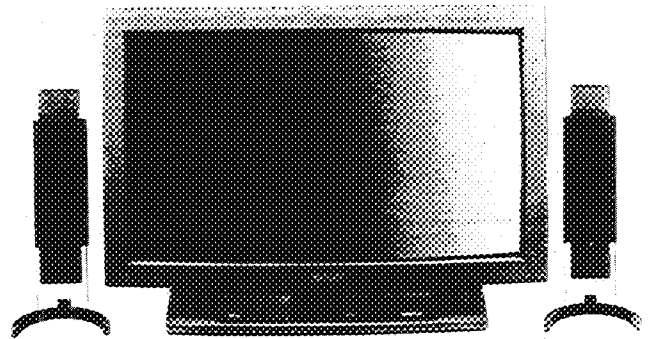


Service
Service
Service



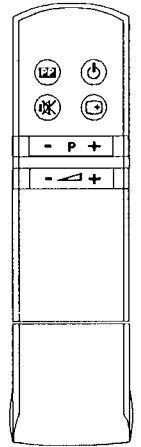
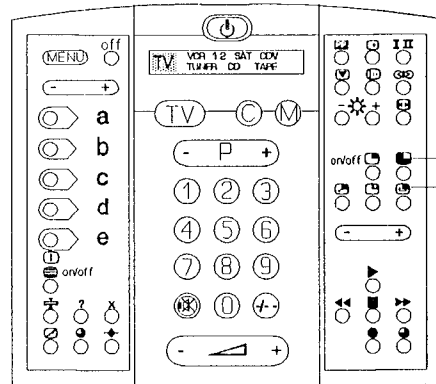
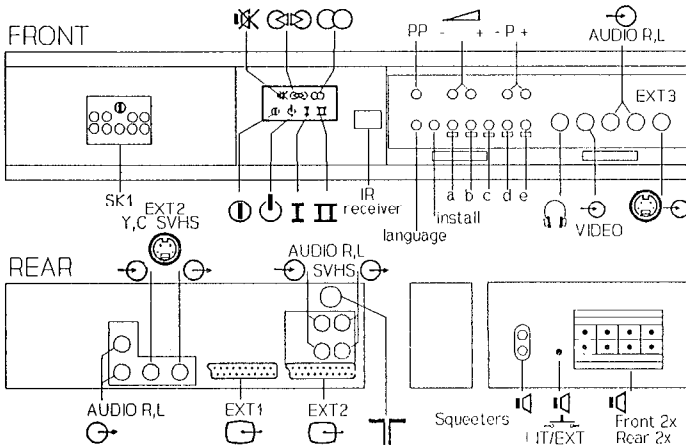
45 834 A

Service Manual

Safety regulations require that the set be restored to its original condition and that parts which are identical with those specified be used.

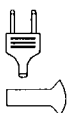
Les normes de sécurité exigent que l'appareil soit remis à l'état d'origine et que soient utilisées les pièces de rechange identiques à celles spécifiées.

Chassis FL1.2

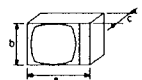


RC6411

RC6804



220-240 V (± 10%)
163W Cenelec



W67EWS001X42

a x b x c
692x515x512 mm



2 x 20 W
2 x squabeter 8Ω
1 x subwoofer 8Ω



Front 2 x 16 W/8Ω
Rear 2 x 4 W/8Ω



28ML8916/05

PAL I

28ML8916/00/10/13

PAL BG
SECAM BGL
NTSC M

28ML8916/19

PAL BGI
SECAM BGLL'

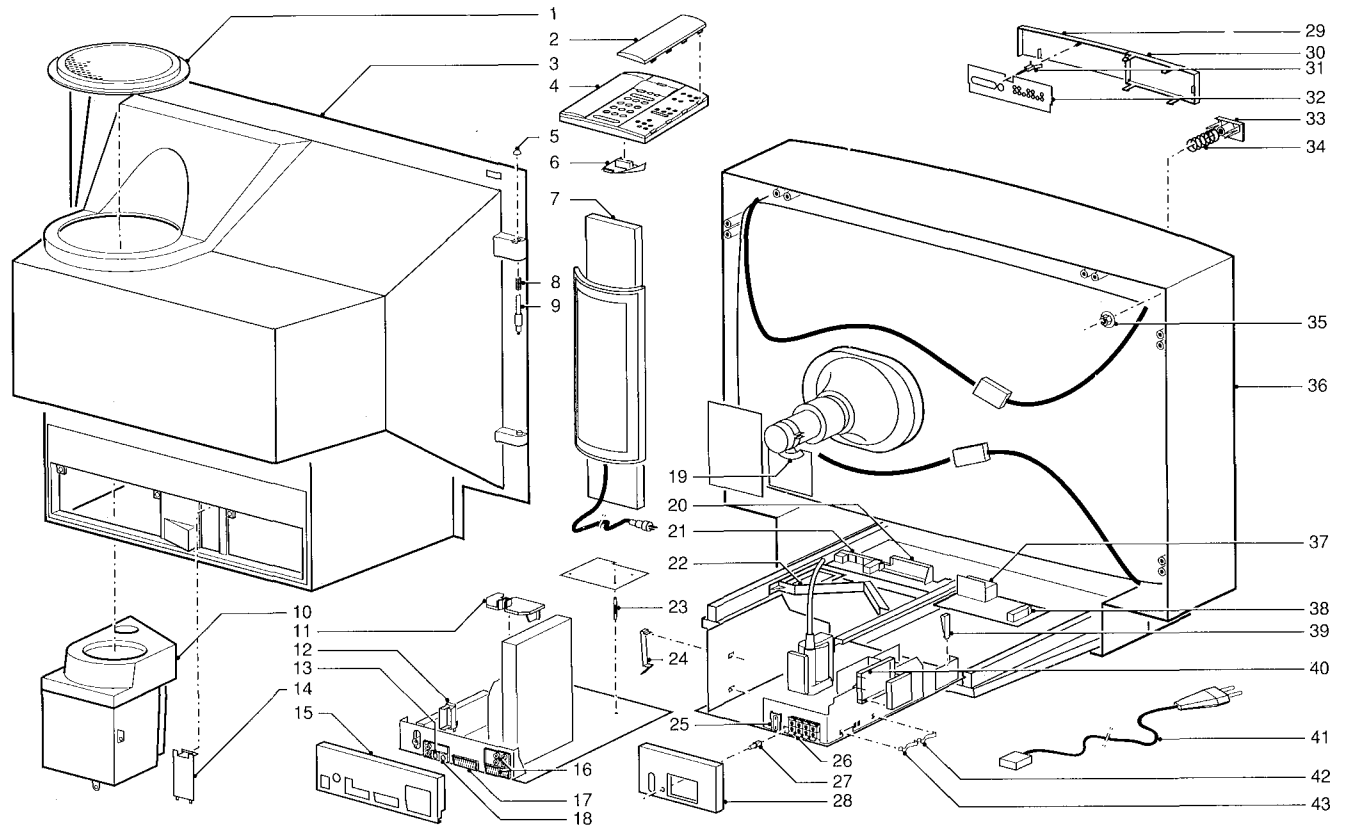
-/05/10/13

NICAM

	FO844/IF	FO816/ME/IF	FO816/ME/IF	OPTION 1	OPTION 2	OPTION 3
28ML8916/00B		X		018	005	000
28ML8916/05B	X			065	037	000
28ML8916/10B		X		082	037	000
28ML8916/13B		X		082	037	000
28ML8916/19B			X	084	005	000



PHILIPS



28ML9916
CL 26532029/011
090392

1	4822 462 71765	Grill for subwoofer	30	4822 432 92794	Window
2	4822 432 92716	Door right	31	4822 417 50258	Locking unit
3	4822 438 40223	Backcover	32	4822 454 12733	Ornamental plate
4	4822 432 92715	Door left	33	4822 410 61499	Mains knob
5	4822 462 41813	Cap for hinge	34	4822 492 32656	Spring
6	4822 432 92714	Battery lid	35	4822 505 10903	Nut
7	4822 445 10282	LS box squeeter	36	4822 430 50821	Cabinet
8	4822 492 52247	Spring for hinge	37	4822 466 93002	LED block
9	4822 535 93227	Pin for hinge	38	4822 276 12998	Mains switch
10	4822 445 10283	LS box subwoofer	39	4822 492 62076	Spring
11	not present		40	4822 404 31202	Bracket for DAF unit
12	not present		41	4822 321 10736	Mains cord
13	4822 267 41005	Cinch/SVHS connector	41	4822 321 10566	Mains cord for -/05
14	4822 432 92693	Door in backcover	42	4822 492 70143	Spring
15	4822 432 92767	Cover SSP	43	4822 492 70788	Spring
16	4822 267 20427	Euro/cinch connector		4822 502 12865	Spindle
17	4822 267 51058	Euroconnector		4822 404 31167	Bracket for mains cord
19	4822 403 70584	Bracket		4822 404 31205	Bracket fix deg. coils
20	4822 218 21075	Keyboard		4822 466 62142	Prot. plate mains filter
21	4822 267 41004	Headph./cinch/SVHS conn.		4822 157 63844	Degaussing coil
22	4822 432 10917	Bottom plate		4822 462 10509	Stand for squeeter box
	4822 535 71305	Spacer for control panel		4822 131 20461	Picture tube
23	4822 404 31197	Spacer		4822 218 21021	Remote control RC6411
24	4822 492 70789	Spring		4822 218 21026	Remote control RC6804
25	4822 267 20417	Socket 2P			
26	4822 290 60812	Connector for LS			
27	4822 410 25036	Mute knob			
28	4822 432 92743	Cover LSP			